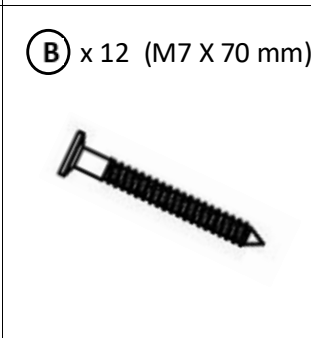
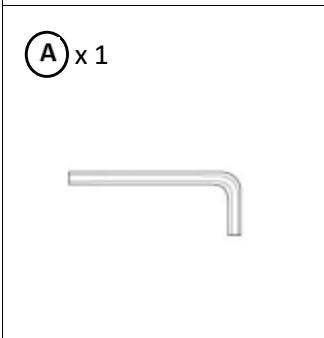
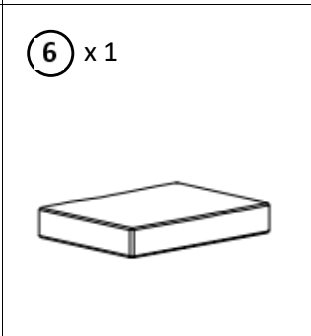
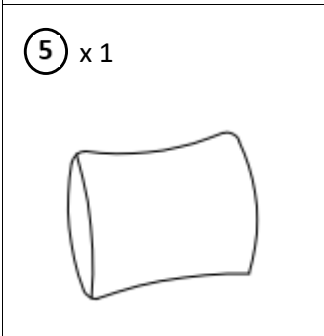
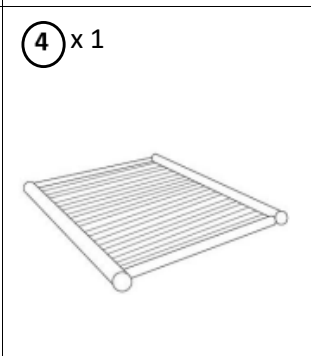
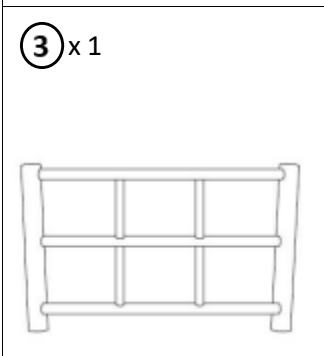
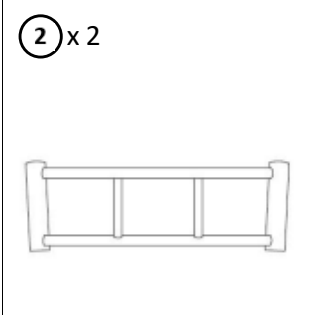
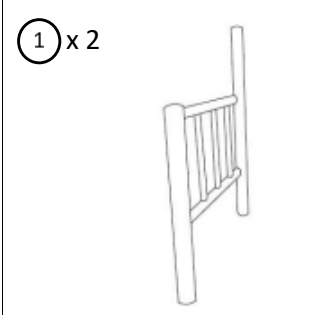
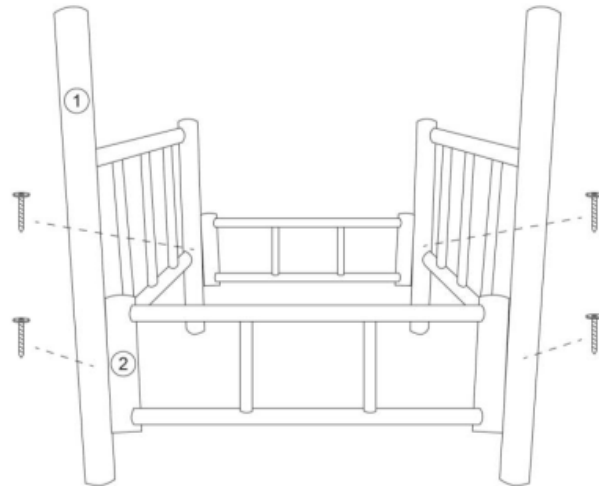


Item number: 546663
Manila Bamboo Sofa Set Chair

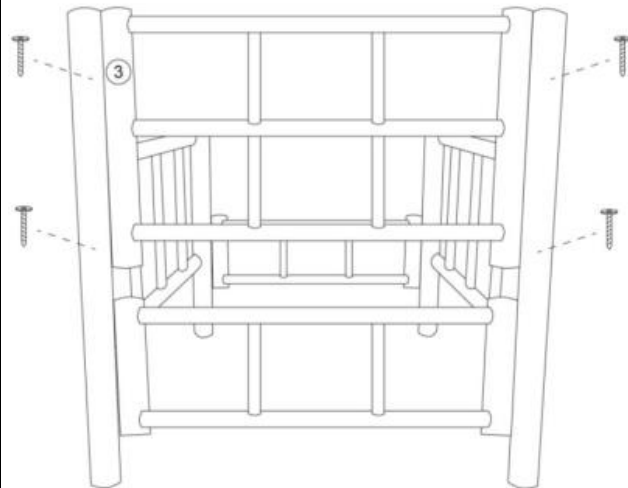
PLANTAGEN®



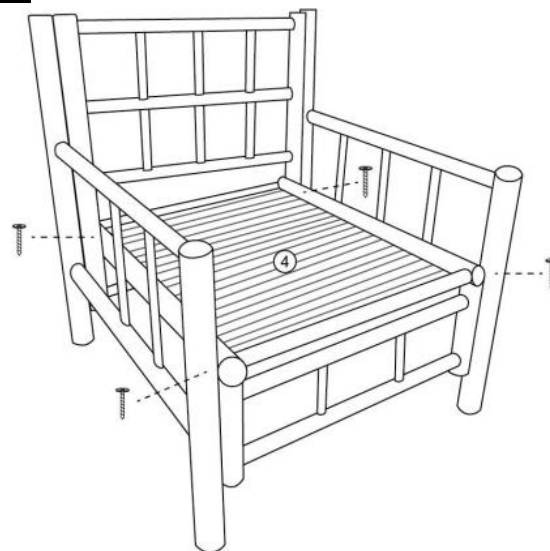
Step 1



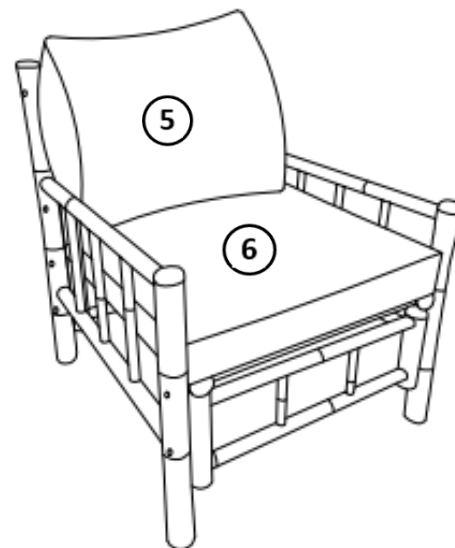
Step 2



Step 3



Step 4



Item number: 546663
Manila Bamboo Sofa Set Chair

PLANTAGEN®

Material: Bamboo

Handle with care, avoid direct exposure to rain and water.

Daily exposure to intense ultraviolet radiation from sunlight will also deteriorate the bamboo material over time.

During winter time, the best is to store in a dry and well-ventilated place.

Over time mold can develop on the surface-clean with a damp, soft cloth.

Color may change over time and become grey, to minimize this regularly clean with a damp, soft cloth and rub in with bamboo furniture oil.

Daily exposure to intense ultraviolet radiation from sunlight fade cushions over time.

Use a furniture cover of good quality to extend the life of your cushions.

When heavy rain, the best way is to place in a waterproof cushion box or indoors in a dry, cool place with good ventilation.

Wash outdoor cushions with a mix of mild soap and water and rinse thoroughly. Stand them on end and allow to air dry completely before usage.

Light stains can be removed as above. For more heavy stains, remove cushion covers and treat with a commercial quality outdoor fabric cleaner.

Do not dry clean or use a washing machine or dryer.

Do not steam or use water at temperatures above 30C when washing.

Do not use bleach.

Do not use solvents.

Do not use chlorine-based cleaners.