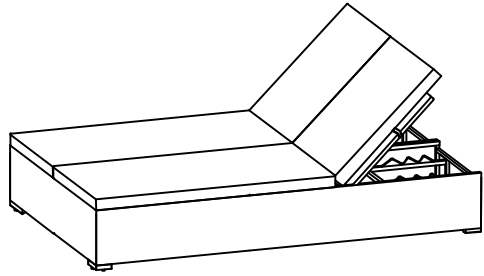
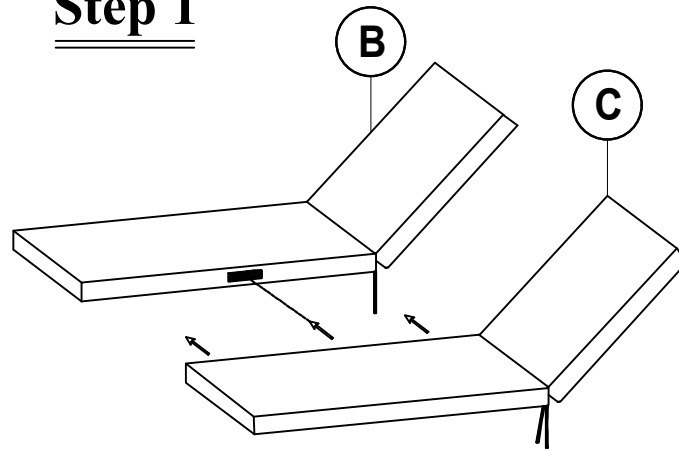


DESCRIPTION

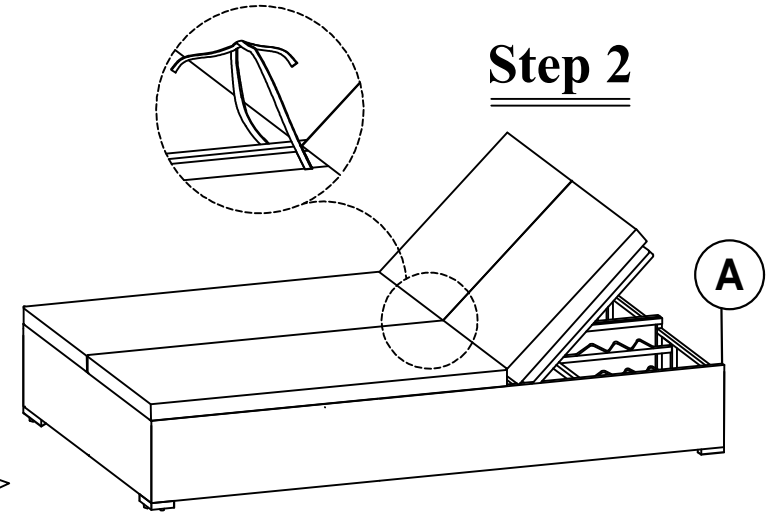
ASSEMBLY INSTRUCTIONS



Step 1



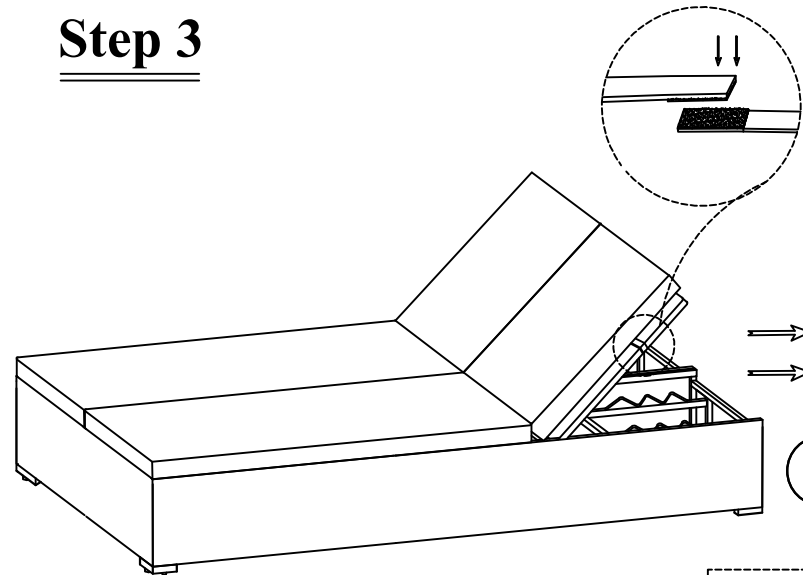
Step 2



HARDWARE

No.	Item	Detail	Quantity
1	A		x1
2	B		x1
3	C		x1
4	D		x9

Step 3



Step 4

