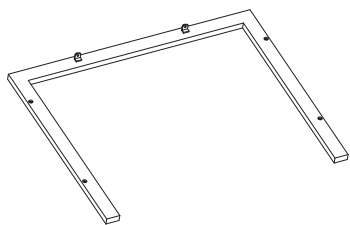
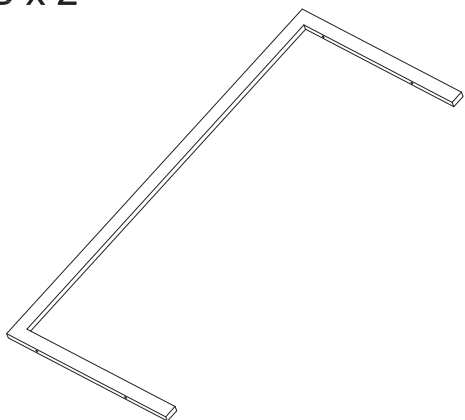


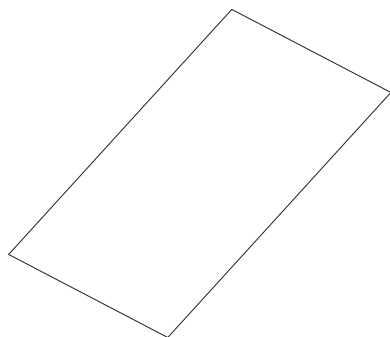
A x 2



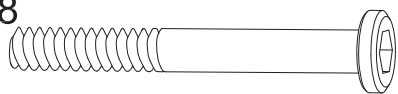
B x 2



C x 1



D x 8



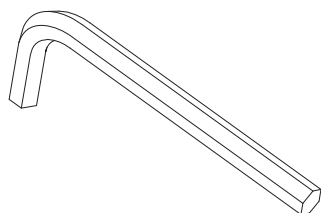
M6x55

E x 8

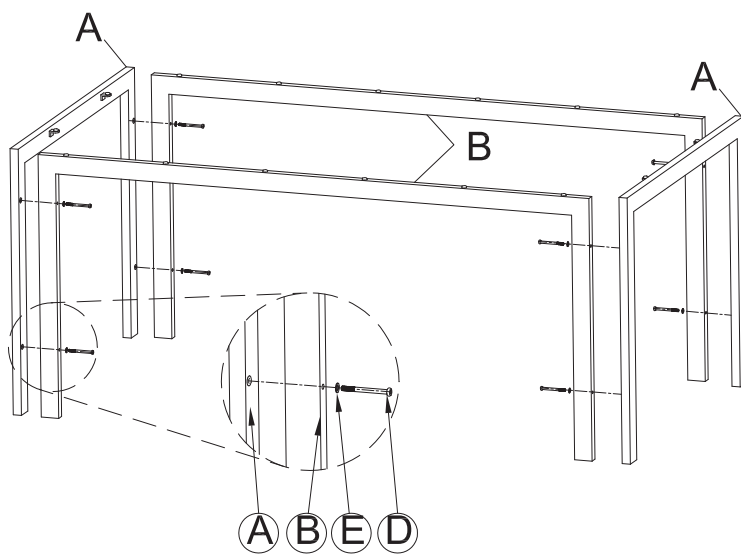


Ø12x1

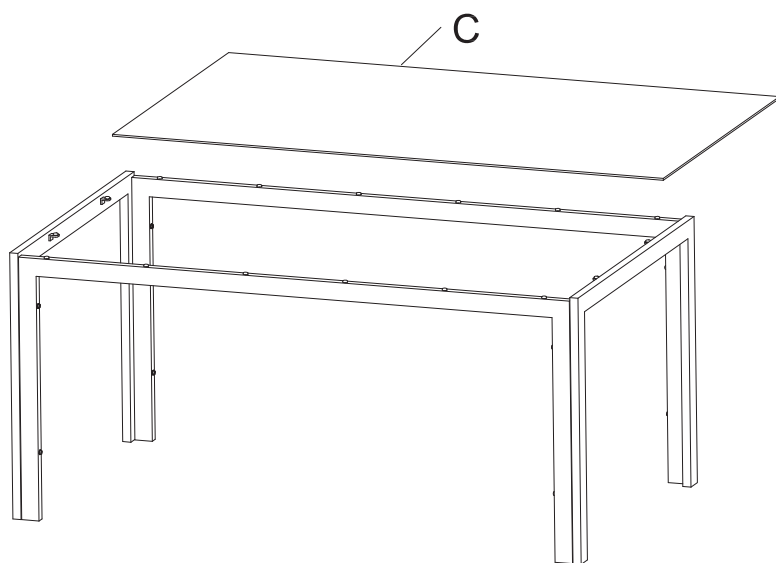
F x 1



1



2



3

